

Product Description

PAR36 retrofit lamp with typical white color 2700K, 3000K; Die cast aluminum housing with sufficient thermal management; 90Ra minimum CRI; Dimmable with magnetic transformers; Thermal fold-back featured LED driver to prevent LEDs from overheat damage; Waterproof structure and suitable for wet locations; Not suitable for underwater applications.

Features & Benefits

- ◆ 90Ra minimum color rendering index
- ◆ Die cast aluminum housing with sufficient thermal management
- ◆ Thermal fold-back featured LED driver to automatically cool down the lamp when the temperature is detected high to
- ◆ Waterproof structure and craftsmanship, suitable for wet locations
- ◆ Single source LED light source to deliver good light distribution

Warnings

1. Cannot work with triac dimmers as well as electronic transformers.
2. Not suitable for underwater applications.
3. 12V low voltage lamp

Our company used The best natural LED light source,The detailed parameters are as follows

Evaluation Metric		Natural light	Thrive	80 CRI	90CRI	98CRI
ASD		0%	9%	28%	20%	18%
TM-30	Ra	100	98	83	92	98
	Rf	100	98	84	91	94
	Rg	100	101	93	97	102

Typical ASD, CRI, and TM - 30 values for 3000K light sources

ASD	TM-30		CCT	Typical CRI and CRI R Values															
	Rf	Rg		Ra	R1	R2	R3	R4	R5	R6	R7	R8	R9	R10	R11	R12	R13	R14	R15
10%	97	100	2700K	98	98	99	95	94	97	99	98	98	93	97	92	92	99	96	98
9%	98	101	3000K	98	98	99	95	93	97	99	96	97	97	98	92	93	98	96	97
8%	97	100	3500K	98	98	98	97	98	98	98	98	97	93	97	97	95	98	97	98
8%	96	99	4000K	98	99	98	96	98	99	98	98	98	95	95	97	94	99	97	99
9%	96	99	5000K	98	99	98	96	98	98	96	97	97	92	94	97	92	98	98	99
8%	96	99	5700K	98	98	98	97	95	98	97	96	95	92	97	96	96	98	98	97
8%	96	99	6500	98	98	98	98	98	97	96	99	99	96	98	98	91	98	99	97

Typical ASD, TM - 30, and CRI values for Thrive light sources.

The following product configurations are available:

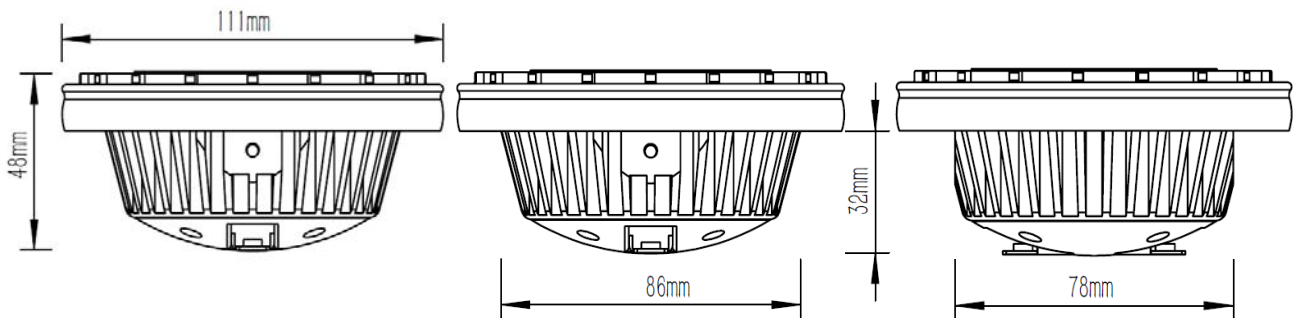
Part Number	Input Voltage	Output Power	CCT & Tunable CCT Range	CRI	Typical Flux (Lm)	Peak Efficacy at Highset
K22-PAR36-27G-NC6-D60	8-18V AC	6W	2700K	>90	372	63
K22-PAR36-30G-NC6-D60	8-18V AC	6W	3000K	>90	415	69
K22-PAR36-35G-NC6-D60	8-18V AC	6W	3500K	>90	405	67
K22-PAR36-40G-NC6-D60	8-18V AC	6W	4000K	>90	403	67
K22-PAR36-50G-NC6-D60	8-18V AC	6W	5000K	>90	413	68
K22-PAR36-27G-NC9-D60	8-18V AC	9W	2700K	>90	510	57

Part Number	Input Voltage	Output Power	CCT & Tunable CCT Range	CRI	Typical Flux (Lm)	Peak Efficacy at Highest
K22-PAR36-30G-NC9-D60	8-18V AC	9W	3000K	>90	530	60
K22-PAR36-35G-NC9-D60	8-18V AC	9W	3500K	>90	518	58
K22-PAR36-40G-NC9-D60	8-18V AC	9W	4000K	>90	509	57
K22-PAR36-50G-NC9-D60	8-18V AC	9W	5000K	>90	545	59
K22-PAR36-27G-NC13-D60	8-18V AC	13W	2700K	>90	727	57
K22-PAR36-30G-NC13-D60	8-18V AC	13W	3000K	>90	843	69
K22-PAR36-35G-NC13-D60	8-18V AC	13W	3500K	>90	837	65
K22-PAR36-40G-NC13-D60	8-18V AC	13W	4000K	>90	878	68
K22-PAR36-50G-NC13-D60	8-18V AC	13W	5000K	>90	914	71
K22-PAR36-27S-NC13-D60	8-18V AC	13W	2700K	>98 Thrive	668	55
K22-PAR36-30S-NC13-D60	8-18V AC	13W	3000K	>98 Thrive	712	59
K22-PAR36-35S-NC13-D60	8-18V AC	13W	3500K	>98 Thrive	770	64
K22-PAR36-40S-NC13-D60	8-18V AC	13W	4000K	>98 Thrive	781	64
K22-PAR36-50S-NC13-D60	8-18V AC	13W	5000K	>98 Thrive	/	/

Specification

Optic Beam Angle	60°
Dimensions	D65*H103mm
Primary Material	Aluminum
Finish	Black
Waterproof	IP67
Life Time	50,000 hours
Warranty	5 years

Product Size



Product Package

Item no.	QTY/CTN(pcs)	CARTON SIZE(cm)	GW/CARTON (kg)
K22-PAR36-27G-NC13-D60	20	275*250*350	8.2KG
K22-PAR36-30G-NC13-D60	20	275*250*350	8.2KG
K22-PAR36-35G-NC13-D60	20	275*250*350	8.2KG
K22-PAR36-40G-NC13-D60	20	275*250*350	8.2KG
K22-PAR36-50G-NC13-D60	20	275*250*350	8.2KG
K22-PAR36-27S-NC13-D60	20	275*250*350	8.2KG
K22-PAR36-30S-NC13-D60	20	275*250*350	8.2KG
K22-PAR36-35S-NC13-D60	20	275*250*350	8.2KG
K22-PAR36-40S-NC13-D60	20	275*250*350	8.2KG
K22-PAR36-50S-NC13-D60	20	275*250*350	8.2KG