



Dongguan Kangjuhong Photoelectronic Technology Limited

Web: www.focusledlighting.com

Add: Building 2 Guang Zhi Bo Teng Industrial Park, Daxing Rd 360#, Yangwu, Dalingshan Town, Dongguan , Guangdong

Contact: Email: susan@focusledlighting.com Phone(WhatsApp):+86 13923758210



RGBCW integrated Brass Landscape lights

Product Nomenclature

Company Name	K22	-	PAR36	-	27	G	-	NC	13	-	D36
K=KJH TECH	Type		PAR36	Nominal CCT					Power	Degree	
22=Year				20=2000K						D15=15°	
M=Module				27=2700K						D36=36°	
A=A. .B. C. Version				30=3000K						D60=60°	
				35=3500K						TR=Tunable White array	
				40=4000K						DR=Dim to warm	
				50=5000K						AT=APP+Remote controller	
				60=6000K						IR=Infrared ray	
				65=6500K						Nominal CCT	
				1840=1800K to 4000K						CRI	
				2750=2700K to 5000K						E=80 CRI MIN	
				RGBW=True-to-color						G=90 CRI MIN	
				RGBCW=True-to-color and adjustable 2250K						S=Thrive	

Product Description

Smart Integrated PAR36 is designed for outdoor landscape lighting, IP68 waterproof grade allows to replace halogen PAR36 of in-ground lights, well lights and flood lights directly. Die cast aluminum housing is perfect for heat dissipation and thermal fold-back driver to prevent lamp from overheat damage. 2.4G and Bluetooth 5.0 dual-enabled signal to dim lights by both remote and APP, RGBW color changing and Tunable CCT , which offers powerful, multicolored effects. You could add more lights as you like into APP, and group them to realize powerful star mess function without any signal

Features & Benefits

- ◆Durability: Die-casting aluminum housing perfect design for heat dissipation
- ◆Water resistant: IP68 for the damp outdoor environment, well sealed construction and coated circuit boards to prevent corrosion and moisture
- ◆Integrated LED light: RGBW color changing and Tunable CCT
- ◆Smart Control: Smart Control: 2.4G and Bluetooth 5.0 dual-enabled signal that group lights to realize powerful star mesh control without extra signal amplifiers by App and Remote
- ◆Overheat protection: Thermal fold-back LED driver to allow longer lifetime

Smart Light Control Instructions

1. Bluetooth 5.0 protocol and G2.4 dual signal mouldle
2. Two control methods both APP and remote control(sold seperately)
3. Unlimited control distance after grouping and single light up to 98ft
4. Function:
 - 1).R,G,B,W color changing and mixing
 - 2).CCT 2200K-5000K Tunable
 - 3). Group control, linkable, dimmable,timing, sync with music, voice control,scene mode, no signal amplifier required

Our company used The best natural LED light source,The detailed parameters are as follows

Evaluation Metric		Natural light	Thrive	80 CRI	90CRI	98CRI
ASD		0%	9%	28%	20%	18%
TM-30	Ra	100	98	83	92	98
	Rf	100	98	84	91	94
	Rg	100	101	93	97	102

Typical ASD, CRI, and TM - 30 values for 3000K light sources

ASD	TM-30		CCT	Typical CRI and CRI R Values															
	Rf	Rg		Ra	R1	R2	R3	R4	R5	R6	R7	R8	R9	R10	R11	R12	R13	R14	R15
10%	97	100	2700K	98	98	99	95	94	97	99	98	98	93	97	92	92	99	96	98
9%	98	101	3000K	98	98	99	95	93	97	99	96	97	97	98	92	93	98	96	97
8%	97	100	3500K	98	98	98	97	98	98	98	98	97	93	97	97	95	98	97	98
8%	96	99	4000K	98	99	98	96	98	99	98	98	98	95	95	97	94	99	97	99
9%	96	99	5000K	98	99	98	96	98	98	96	97	97	92	94	97	92	98	98	99
8%	96	99	5700K	98	98	98	97	95	98	97	96	95	92	97	96	96	98	98	97
8%	96	99	6500	98	98	98	98	98	97	96	99	99	96	98	98	91	98	99	97

Typical ASD, TM - 30, and CRI values for Thrive light sources.

The following product configurations are available

Part Number	Input Voltage	Output Power	CCT & Tunable CCT Range	CRI	Typical Flux (Lm)	Peak Efficacy at Highest
K22-PAR36-1840G-AT13-D60	8-18V AC	13W	1800-4000K	>90	/	/
K22-PAR36-2750G-AT13-D60	8-18V AC	13W	2700-5000K	>90	/	/
K22-PAR36-2750S-AT13-D60	8-18V AC	13W	2700K-5000K	>98 Thrive	/	/
K22-PAR36-RGBCW2240G-AT13-D60	8-18V AC	13W	RGBCW 2200-4000K	>90	/	/
K22-PAR36-RGBCW2250G-AT13-D60	8-18V AC	13W	RGBCW 2200-5000K	>90	690LM(4000K)	52LM/W

Detail Output Lumens(Fixture) for smart products

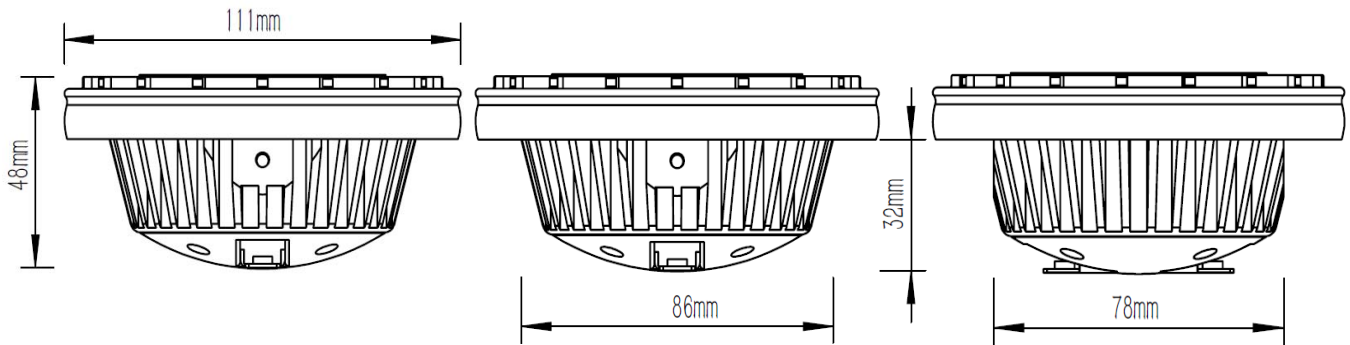
Part Number	Output Lumens(Fixture)							
	R	G	B	2200K	2500K	2700K	3000K	4000K
K22-PAR36-RGBCW2240G-AT13-D60	283LM	496LM	90LM	540LM	550LM	589LM	647LM	679LM

K22-PAR36-RGBCW2250G-AT13-D60	R	G	B	2200K	2700K	3000K	4000K	5000K
	340LM	510LM	100LM	540LM	560LM	610LM	690LM	750LM
K22-PAR36-1840G-AT13-D60	/	/	/	1800K	2200K	2700K	3000K	4000K
	/	/	/	/	/	/	/	/
K22-PAR36-2750G-AT13-D60	/	/	/	2700K	3000K	3500K	4000K	5000K
	/	/	/	/	/	/	/	/
K22-PAR36-2750S-AT13-D60	/	/	/	2700K	3000K	3500K	4000K	5000K
	/	/	/	/	/	/	/	/

Specification

Optic Beam Angle	60°
Dimensions	D65*H103mm
Material	Solid cast brass
Finish	Antique bronze
Waterproof	IP68
Life Time	50,000 hours
Warranty	5 years

Product Size



Product Package

Item no.	QTY/CTN(pcs)	CARTON SIZE(cm)	GW/CARTON (kg)
K22-PAR36-1840G-AT13-D60	20	275*250*350	8.2KG
K22-PAR36-2750G-AT13-D60	20	275*250*350	8.2KG
K22-PAR36-2750S-AT13-D60	20	275*250*350	8.2KG
K22-PAR36-RGBCW2240G-AT13-D60	20	275*250*350	8.2KG
K22-PAR36-RGBCW2250G-AT13-D60	20	275*250*350	8.2KG